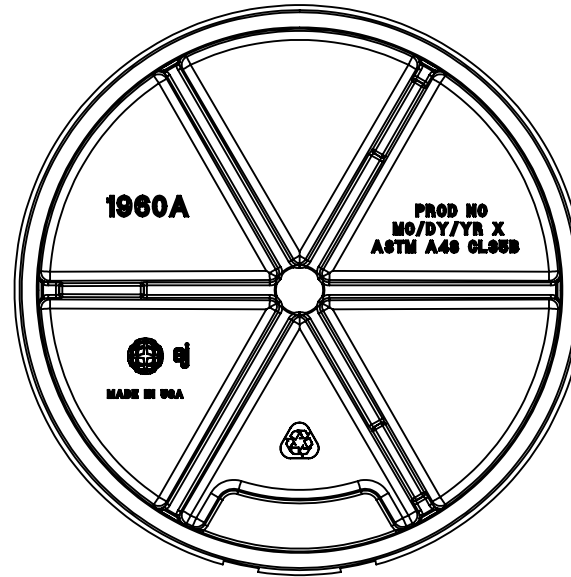
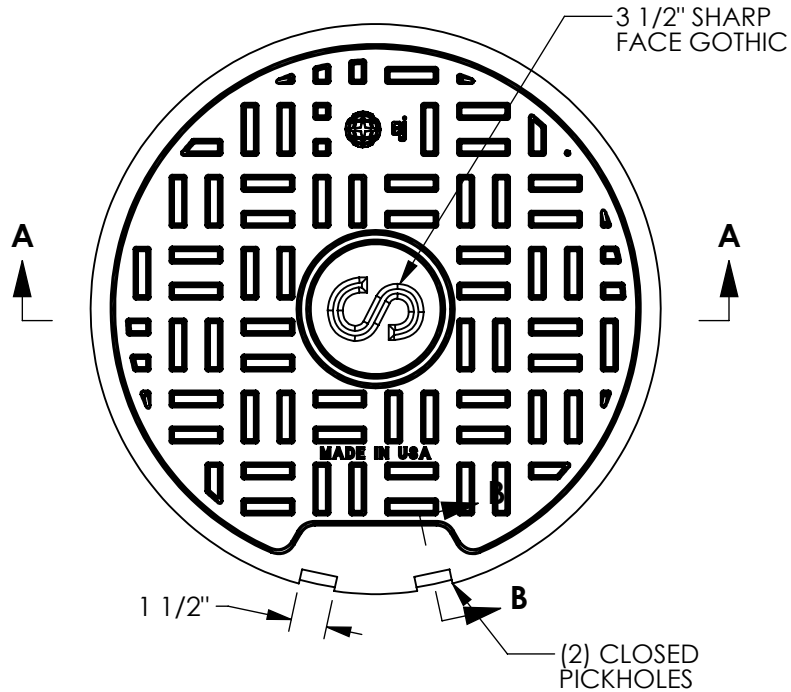
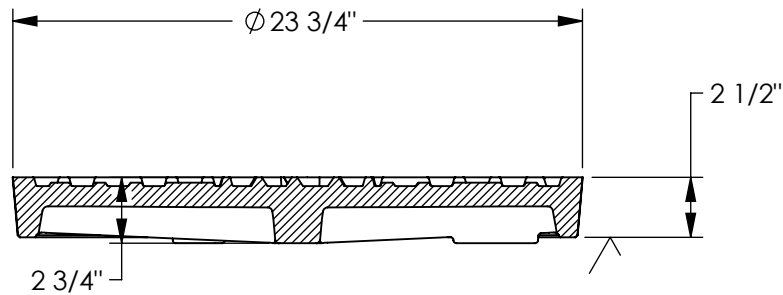


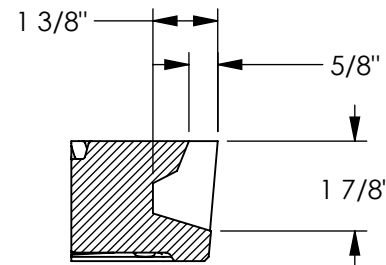
1960A Cover



BOTTOM VIEW



SECTION A-A



**SECTION B-B
SCALE 1 : 4**

Product Number

00196022

Design Features

- Materials
Gray Iron (CL35B)
- Design Load
Heavy Duty H20
- Open Area
n/a
- Coating
Undipped
- √ Designates Machined Surface

Certification

- ASTM A48
-
-
- Country of Origin: USA

Supplied By:



877-903-7246

www.trenchdrainsupply.com

Drawing Revision

12/06/2023 Designer: DJH
Revised By:

Disclaimer

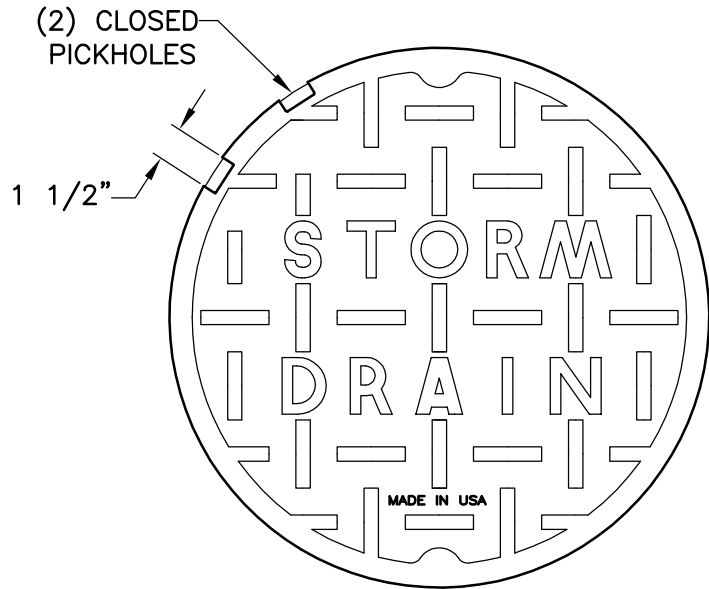
Weights (lbs/kg), dimensions (inches/mm) and drawings provided for your guidance. We reserve the right to modify specifications without prior notice.

CONFIDENTIAL: This drawing is the property of EJ Group, Inc. and embodies confidential information, registered marks, patents, trade secret information, and/or know how that is the property of EJ Group, Inc. Copyright © 2013 EJ Group, Inc. All rights reserved.

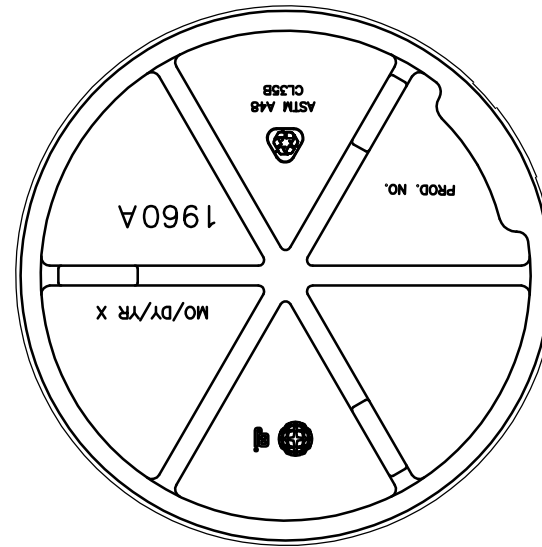
Contact

800 626 4653
ejco.com

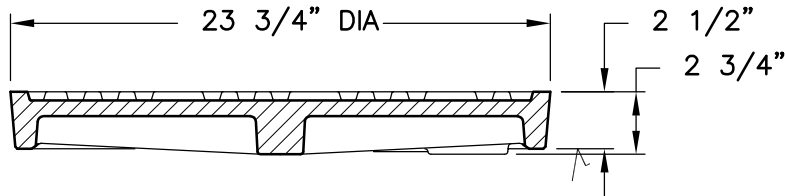
1960A Cover



PLAN VIEW



BOTTOM VIEW



COVER SECTION

Product Number

00196098

Design Features

- Materials
Gray Iron (CL35B)
- Load Rating
Medium Duty
- Open Area
n/a
- Coating
Undipped
- √ Designates Machined Surface

Certification

- ASTM A48
-
-
- Country of Origin: USA

Supplied By:



Drawing Revision

06/05/2013 Designer: DAE
5/28/2019 Revised By: DEF

Disclaimer

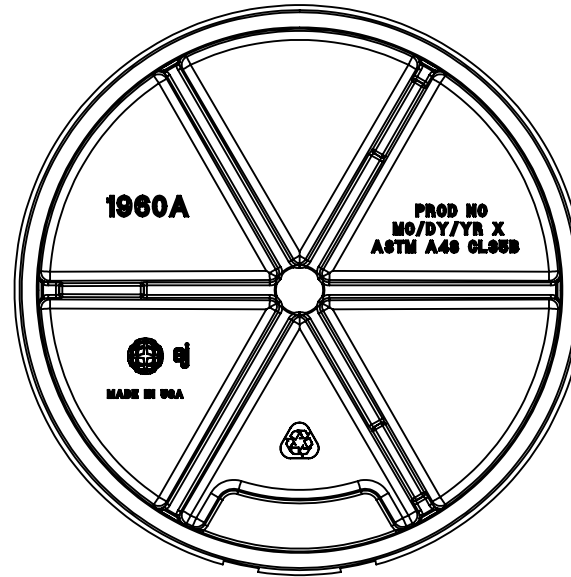
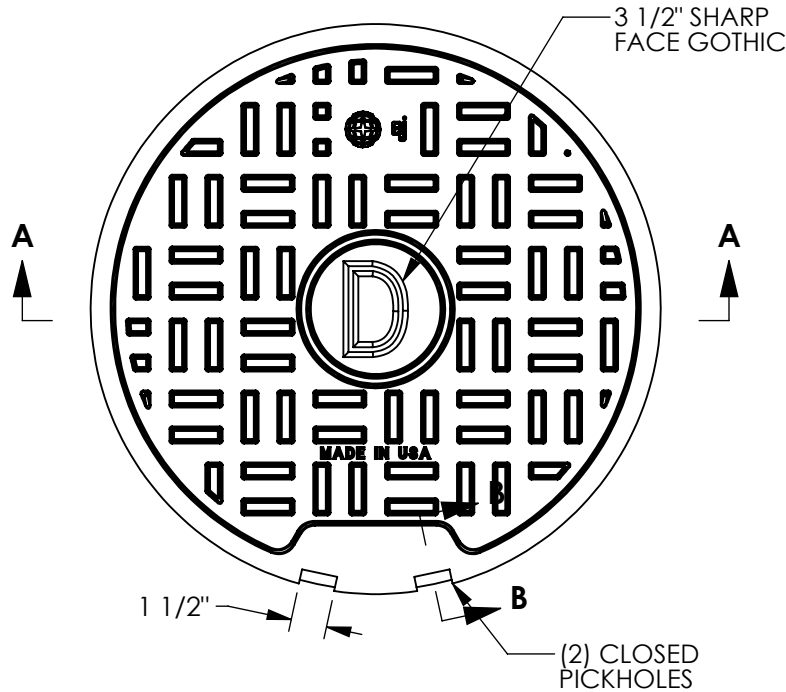
Weights (lbs./kg) dimensions (inches/mm) and drawings provided for your guidance. We reserve the right to modify specifications without prior notice.

CONFIDENTIAL: This drawing is the property of EJ GROUP, Inc., and embodies confidential information, registered marks, patents, trade secret information, and/or know how that is the property of EJ GROUP, Inc. Copyright © 2019 EJ GROUP, Inc. All rights reserved.

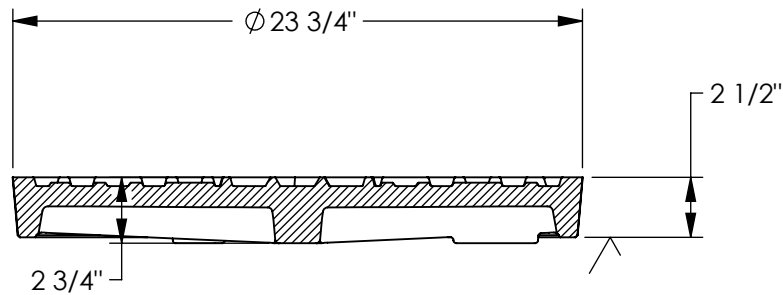
Contact

800 626 4653
ejco.com

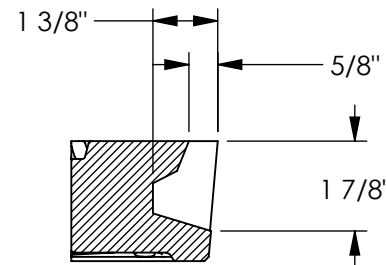
1960A Cover



BOTTOM VIEW



SECTION A-A



**SECTION B-B
SCALE 1 : 4**

Product Number

00196054

Design Features

- Materials
Gray Iron (CL35B)
- Design Load
Heavy Duty H20
- Open Area
n/a
- Coating
Undipped
- √ Designates Machined Surface

Certification

- ASTM A48
-
- Country of Origin: USA

Supplied By:
TRENCHDRAIN SUPPLY
 877-903-7246
www.trenchdrainsupply.com

Drawing Revision

12/06/2023 Designer: DJH
 Revised By:

Disclaimer

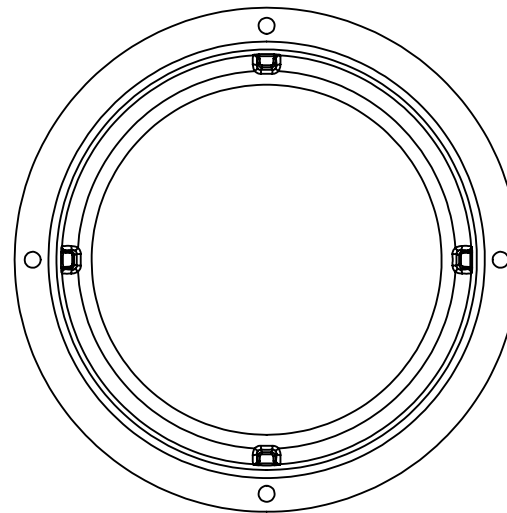
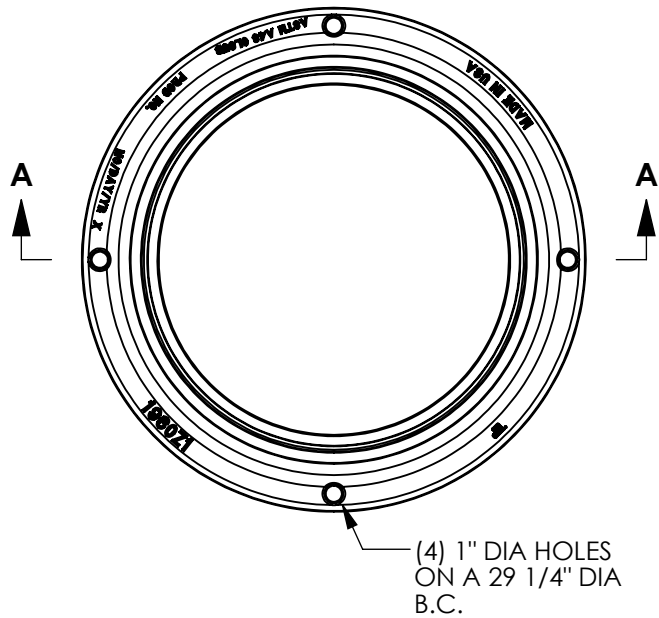
Weights (lbs/kg), dimensions (inches/mm) and drawings provided for your guidance. We reserve the right to modify specifications without prior notice.

CONFIDENTIAL: This drawing is the property of EJ Group, Inc. and embodies confidential information, registered marks, patents, trade secret information, and/or know how that is the property of EJ Group, Inc. Copyright © 2013 EJ Group, Inc. All rights reserved.

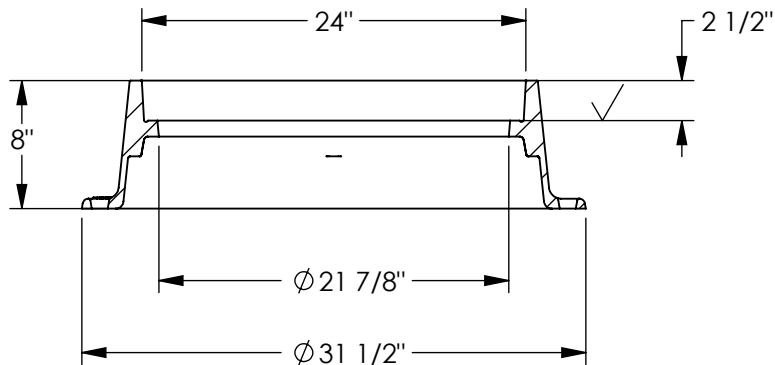
Contact

800 626 4653
ejco.com

1960Z1 Frame



BOTTOM VIEW



SECTION A-A

Product Number

00196013

Design Features

- Materials
Gray Iron (CL35B)
- Load Rating
Heavy Duty H20
- Open Area
n/a
- Coating
Undipped
- √ Designates Machined Surface

Certification

- ASTM A48
-
-
- Country of Origin: USA

Drawing Revision

12/06/2023 Designer: DJH
Revised By:

Disclaimer

Weights (lbs/kg), dimensions (inches/mm) and drawings provided for your guidance. We reserve the right to modify specifications without prior notice.

CONFIDENTIAL: This drawing is the property of EJ Group, Inc. and embodies confidential information, registered marks, patents, trade secret information, and/or know how that is the property of EJ Group, Inc. Copyright © 2021 EJ Group, Inc. All rights reserved.

Contact

800 626 4653
ejco.com

Supplied By:

**TRENCHDRAIN
SUPPLY**

877-903-7246
www.trenchdrainsupply.com